



## Eagle Creek Lavender

As owners and operators of a 12 acre lavender farm in western Oregon, we found the need for a harvester that would increase our productivity and decrease the labor of hand harvesting.

After searching worldwide and finding nothing suitable to our needs, we designed the Starr Lavender Harvester™.

It is purpose-built for the small-medium sized farm and can be easily operated by two persons (or even one, if needed.)

In terms of labor-savings, our 600 foot rows normally take 8 hours to hand harvest. With the Starr Lavender Harvester™ we can now cut a row in less than 10 minutes.

The Starr Lavender Harvester™ features heavy-duty construction and is designed for years of trouble-free use.

We look forward to discussing your needs.

*Bill Jabs*

Eagle Creek Lavender  
Starr Manufacturing LLC

# Starr Lavender Harvester™



Improved Model

**For additional information, specifications  
and pricing, contact:**

**Starr Manufacturing LLC**  
**[www.StarrManufacturing.com](http://www.StarrManufacturing.com)**

**27525 SE Starr Road**  
**Eagle Creek, Oregon 97022**

**Bill Jabs • 971-235-3804**  
**[wjabs@cascadeaccess.com](mailto:wjabs@cascadeaccess.com)**

- **Self-propelled single-row harvester.**
- **MADE IN THE USA by a lavender grower.**
- **Designed for small to medium-sized farms.**
- **Affordable.**

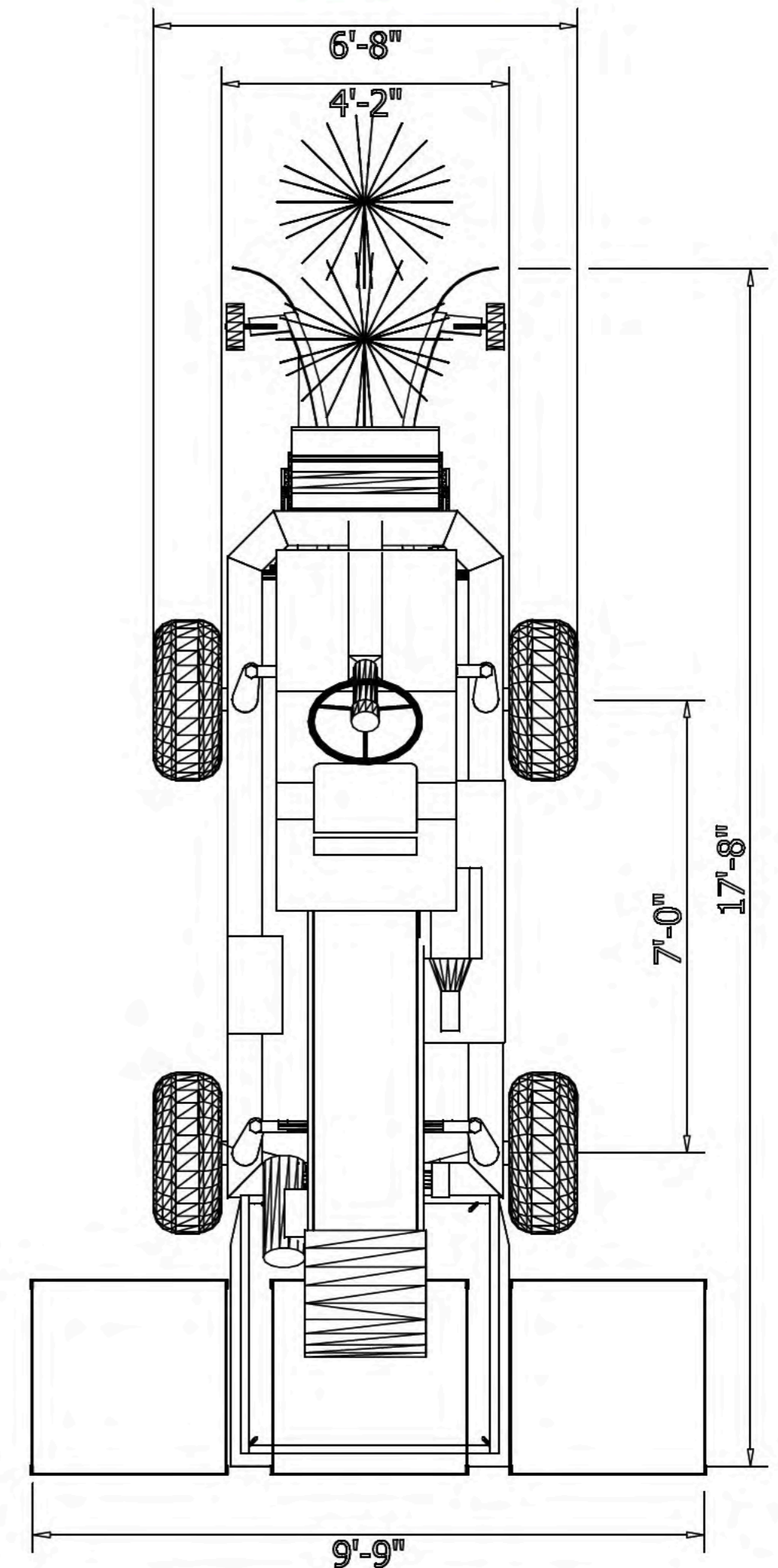


# Starr Lavender Harvester™

## KEY FEATURES:

- **Fast and efficient.**
- **Self-propelled.**
- **100% hydraulically powered.**
- **2-wheel or 4-wheel drive.**
- **4-wheel steering.**
- **Designed to load into agricultural bags or your trailer-mounted distillation tub.**
- **Designed for multiple plant varieties and row configurations.**
- **Custom designs available.**

**Purpose-built  
for single-row harvesting  
at small to medium-sized  
lavender farms.**



(\* Approximate dimensions shown.)